

# D款, 正向10.0前两脚, DIP-\*5.70

MAPX	MODIFICATION	DATE
------	--------------	------

### NOTES:

1. HOUSING: SEE NOTES, UL94V-0 .  
TERMINAL: SEE NOTES.  
SHELL: SEE NOTES.

### SPECIFICATION:

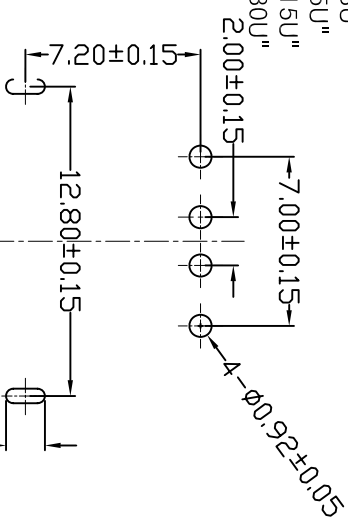
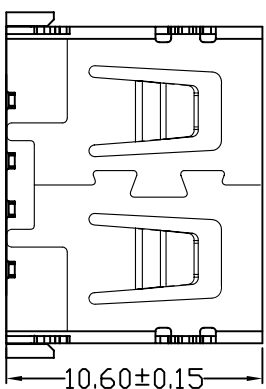
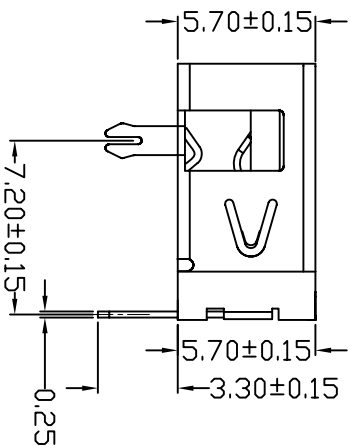
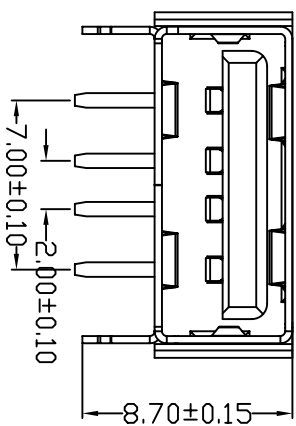
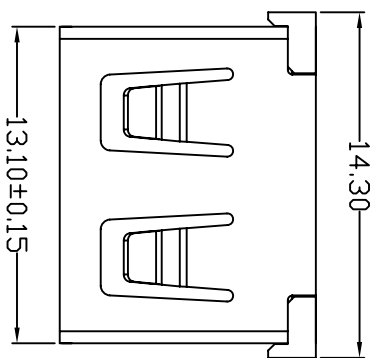
1. ELECTRICAL CHARACTERISTIC:  
CONTACT RESISTANCE: 30MΩ MAX  
DIELECTRIC WITHSTANDING VOLTAGE: 500V AC FOR 1MIN  
INSULATION RESISTANCE: 1000MΩ MIN
2. MECHANICAL CHARACTERISTIC:  
INSERTION FORCE: 35N(3.57KGF) MAX  
EXTRACTION FORCE: 10~35N(1.02~3.57KGF)/MIN  
DURABILITY: 1500 CYCLES EXTRACTION FORCE: 10~35N  
5000 CYCLES MIN

### 3. ENVIRONMENTAL:

OPERATING TEMPERATURE: -55°C+85°C

### 4. Contact finish:

- 01: Selective Gold Flash
- 02: Selective Gold 3U"
- 03: Selective Gold 5U"
- 04: Selective Gold 15U"
- 05: Selective Gold 30U"



FRONT EDGE OF CONNECTOR  
PCB LAYOUT (T=1.60mm)

<b>产品图</b> PRODUCT CHART DWG 公差一览表 TOLERANCE UNLESS OTHERWISE		单位 UNITS MM	制图 DRAWING Z-Y-B	制图料号 PRODUCT PART NO.
X	±0.25	X	±5°	产品名称 PRODUCT NAME USB A/P 10.6无边前两脚鱼叉(方弹)
X	±0.20	X	±2°	产品编号 PRODUCT NO.
XX	±0.15	XX	±1°	角法 VIEW
XXX	±0.10	XXX	±0.5°	版本 VER AD

日期	2014.09.24	审核	
DATE		APPR	

1 2 3 4 5 6 7 8 9 10